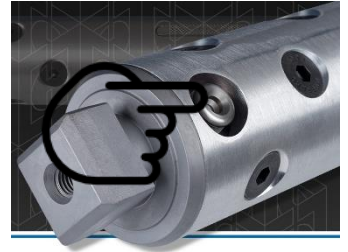


GOLDENROD PRODUCT BULLETIN – ISO Valve / S.I.D. Feature

New 3" safety inflate/deflate valve pkg and ISO valve. **Note** – there are two options for this design.

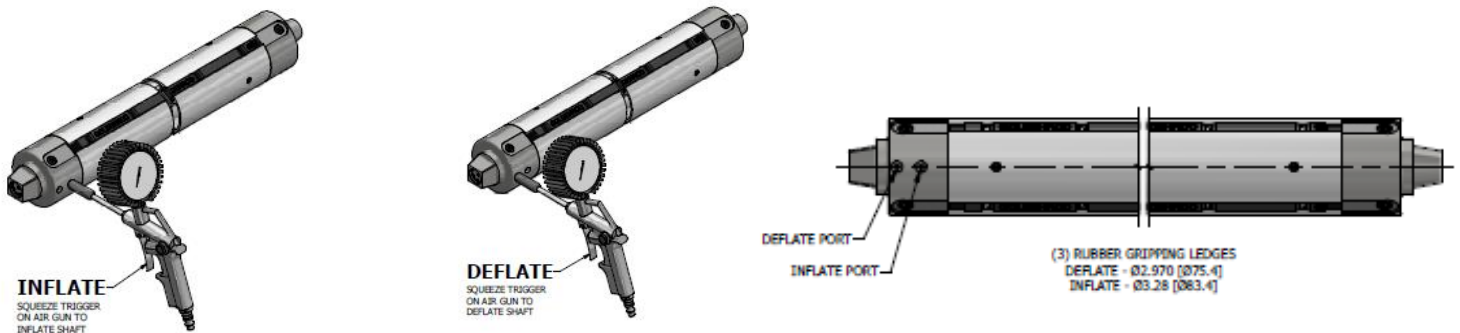
Option 1 – Safety Inflate / Deflate (**S.I.D. feature**) – this option requires the operator to use air gun to INFLATE & DEFLATE shaft.

There have been issues with all air shafts that use the quick release valve (fig.1) allowing operator to use index finger to deflate. If it is a 2- man operation and one guy is pulling shaft from roll on one side while the other guy is deflating with finger – the index finger could get pinched.



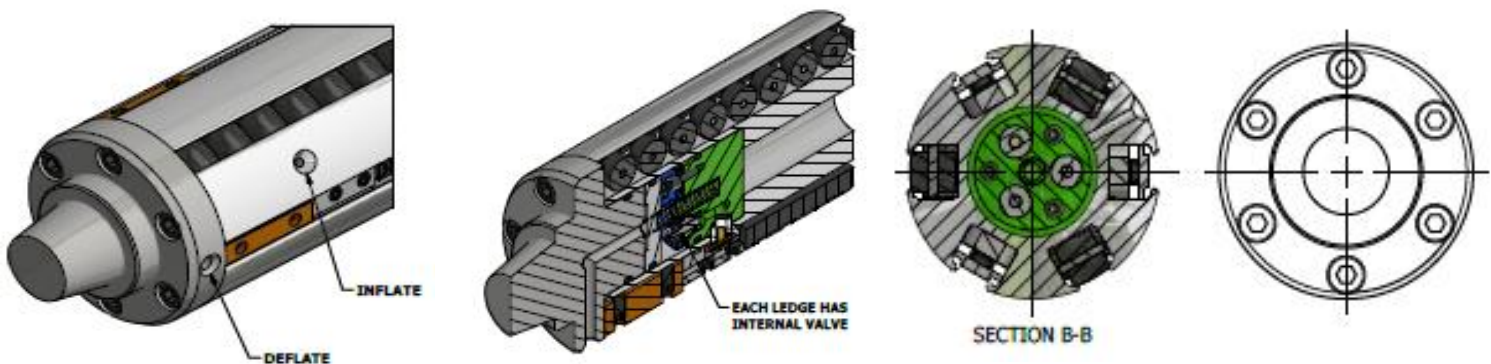
(fig. 1)

The SID feature requires the operator to use air gun to deflate eliminates safety issue.



Note: Promoting the S.I.D. option gives us an advantage over all competition selling 3" ledge shafts. On Double E and Tidland ledge shafts – fingers are still used to deflate. Option 1 does not isolate the valves inside. If one bladder fails – all will deflate.

Option 2 – ISO Valve feature – The iso-valve design is now available when needed for both the 3 and 5 ledge, three inch diameter shafts. The Iso Valve design will have the S.I.D. inflate/deflate port and also check & isolate each grip ledge so that if one bladder fails – all remaining will stay inflated.



Note: These are “options” and not standard. There will be a slight up-charge for each.

GOLDENROD



CORPORATION

Expanding Solutions for Your Business.....